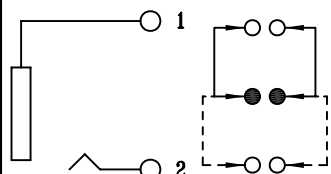
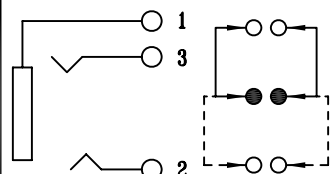


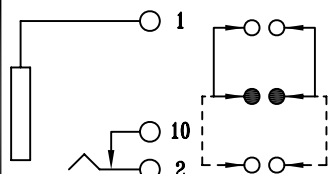
CAD FILE:



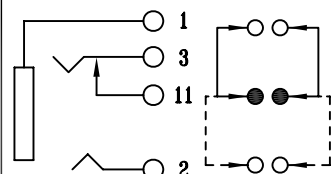
SCHMATIC (NON-SHORTING)
ST-413-01W



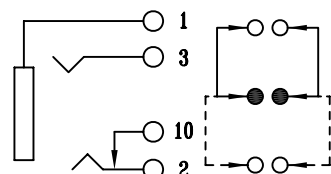
SCHMATIC (NON-SHORTING)
ST-413-02W



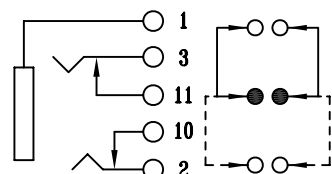
SCHMATIC (NON-SHORTING)
ST-413-03W



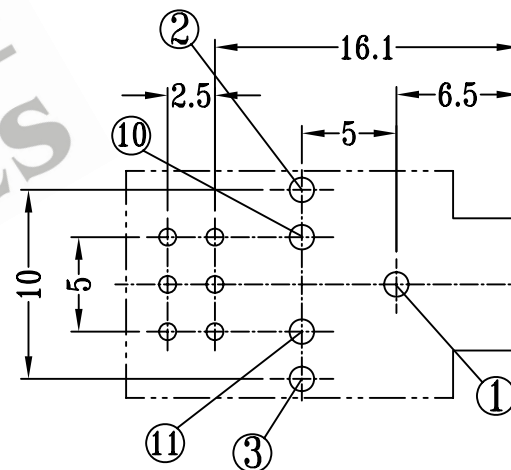
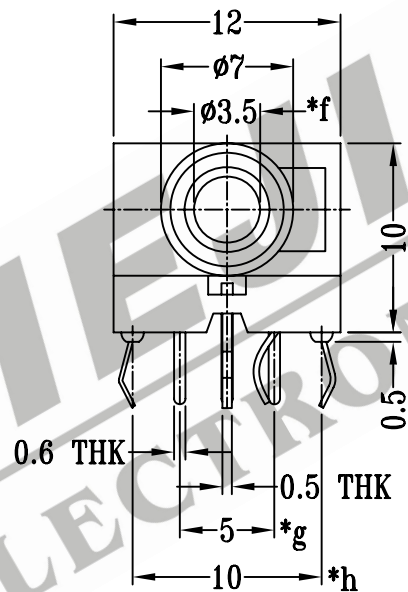
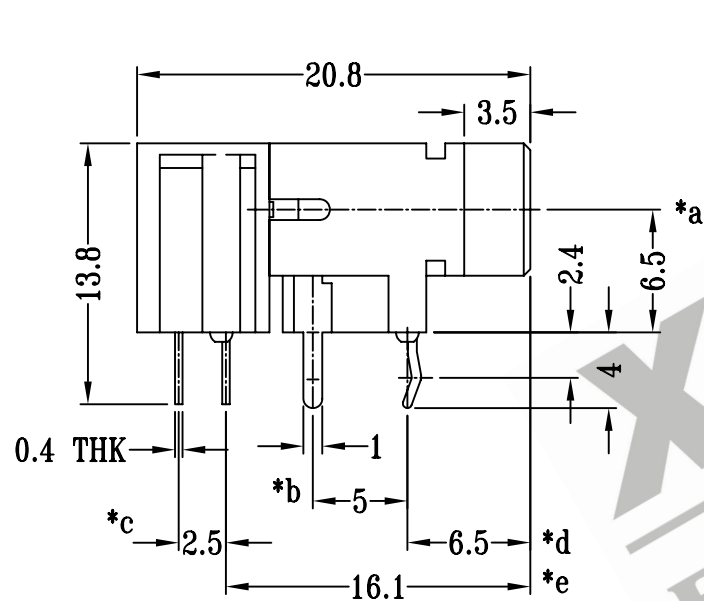
SCHMATIC (NON-SHORTING)
ST-413-04W



SCHMATIC (NON-SHORTING)
ST-413-05W



SCHMATIC (NON-SHORTING)
ST-413-06W



P.C.B LAYOUT

10	CONTACT	PBS	2	Ag CLAD
9	SPRING	STAINLESS STEEL WIRE	1	TEMPER
8	BAR	POM	1	BLACK
7	COVER	POM	1	BLACK
6	SPRING TERMINAL B	PBS STRIP	1	Ag PLATED OVER Ni PLATED
5	SPRING TERMINAL A	PBS STRIP	1	Ag PLATED OVER Ni PLATED
4	TERMINAL	BRASS STRIP	6	Ag PLATED OVER Ni PLATED
3	TERMINAL A	BRASS STRIP	1	Ag PLATED OVER Ni PLATED
2	HOUSING	POM/PBT	1	BLACK
1	CASE	POM/PBT	1	BLACK
NO.	PART NAME	MATERIAL	Q'TY	FINISHING

注：“*”表示关键尺寸（8个）

TOLERANCE UNLESS SPECIFIED		SHENZHEN XIEJIA ELECTRONICS CO.,LTD.		
WITHIN: 1.5±0.1mm OVER : 1.5±0.2mm		ISSUE	DATE	DESCRIPTIONS
TITLE : PHONE JACK		UNIT : MM	DRWG NO.: XJ-DR-ST41306W-00	
MODEL: ST-413-01W ~ ST-413-06W		SCALE: 5:2	DWN. ZHOUYU	2004-12-5
ALL MATERIALS MUST BE COMPLIANT TO ROHS		APPD. KANGXINAN	FANGYING	2004-12-5
				2004-12-5